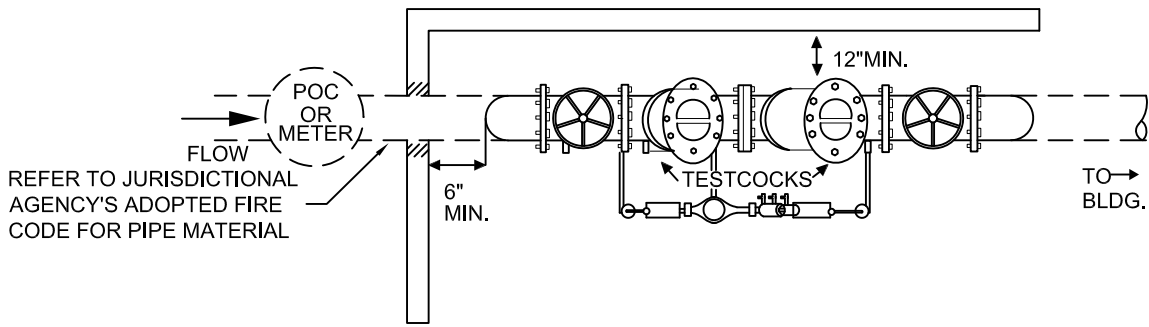


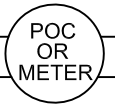
PLAN VIEW



DAYLIGHT DRAIN REQUIRED  
SEE NOTE 3 FOR SIZE

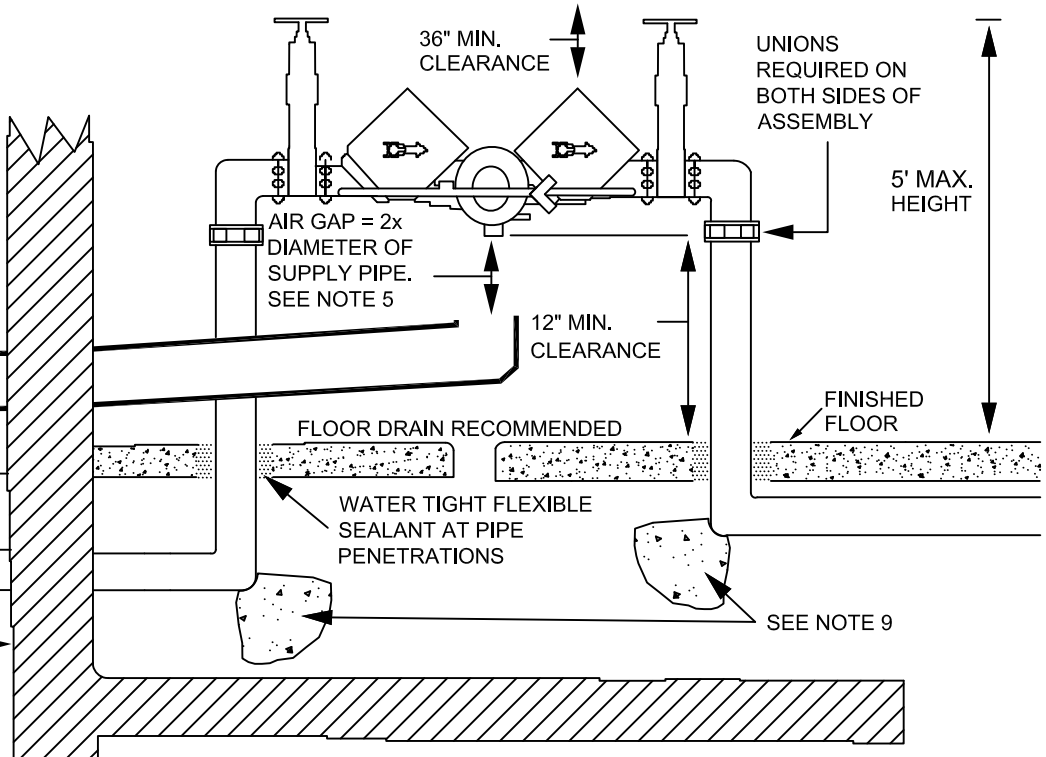
UNOBSTRUCTED  
FLAP TO  
KEEP COLD &  
ANIMALS OUT

GRADE



FLOW

12" MAX. OR AS  
DETERMINED BY  
TRUCKEE MEADOWS  
WATER AUTHORITY



NOTES:

1. ASSEMBLY SHALL BE A USC APPROVED DEVICE.
2. THE RP SHALL BE INSTALLED ABOVE GRADE AND NOT IN A BASEMENT.
3. A DAYLIGHT DRAIN IS REQUIRED AND A FLOOR DRAIN IS RECOMMENDED. DAYLIGHT DRAIN SHOULD BE NO SMALLER THAN THE RP DEVICE THAT IS INSTALLED.
4. NO STOP AND WASTE VALVES.
5. AN AIR GAP (VERTICAL PHYSICAL SEPARATION) OF AT LEAST 2 TIMES THE DIAMETER OF THE RELIEF VALVE OPENING, WITH A MINIMUM OF 1" SHALL BE MAINTAINED BETWEEN THE WATER DISCHARGE POINT ON THE RELIEF VALVE AND THE DRAIN OR MAXIMUM FLOOD LEVEL, WHICHEVER IS HIGHEST.
6. CALL LOCAL BUILDING AND/OR FIRE DEPARTMENTS FOR DEPTH AND TYPE OF PIPE TO BE USED.
7. INSPECTION BY TMWA BACKFLOW PREVENTION GROUP PERSONNEL REQUIRED BEFORE METER IS SET OR SERVICE IS ACTIVATED.
8. TESTING OF BACKFLOW ASSEMBLY REQUIRED WITHIN 7 DAYS AFTER METER IS SET OR SERVICE ACTIVATION. COPY OF TEST RESULTS TO BE FORWARDED TO TMWA BACKFLOW PREVENTION GROUP PERSONNEL BY A CERTIFIED ASSEMBLY TESTER WITHIN THAT SAME TIMEFRAME.
9. MINIMUM DIMENSIONS FOR THE THRUST BLOCK BEARING AREA FOR PIPE 2" AND SMALLER SHALL BE 8" X 8" AND 12" IN DEPTH. ALL OTHER SIZES TO BE DETERMINED BY ENGINEER.



DATE

7/2001

REV

2/2010

APPENDIX 10A  
BACKFLOW PREVENTION ASSEMBLIES  
FIRE - CLASS 4, 5, & 6 REDUCED PRESSURE  
PRINCIPLE DETECTOR ASSEMBLY  
INTERNAL - HORIZONTAL

DRAWING NUMBER

10A-11